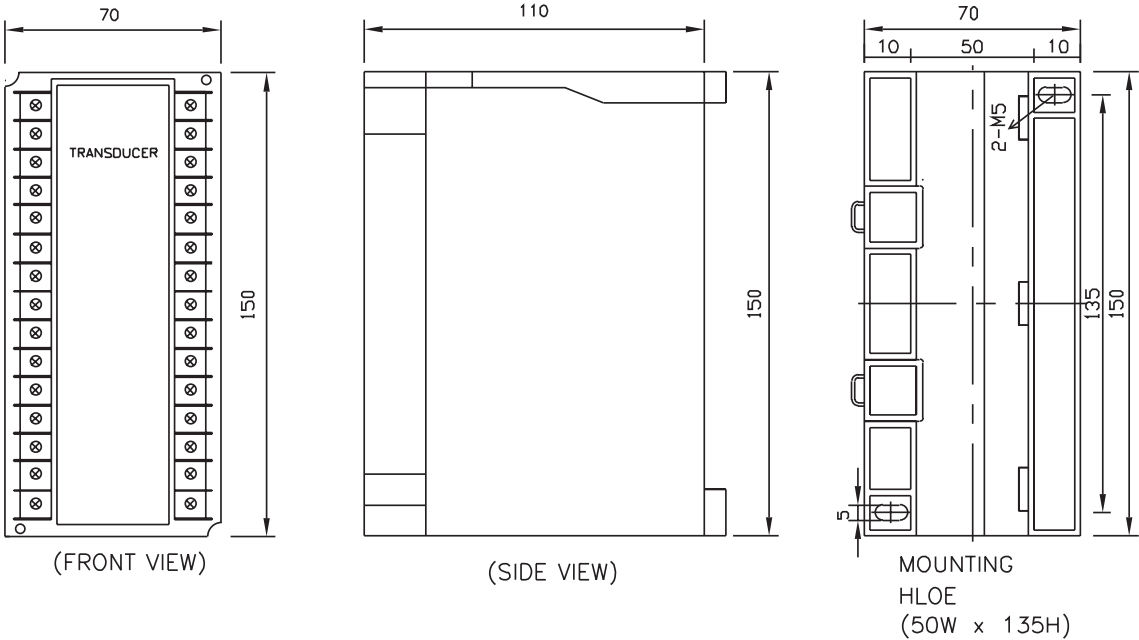


General Specifications

Dimension

A. DIMENSION

1) BS-2



2) BS-3

